

■ Replacement Parts List

Notes: * Important safety notice:

Components identified by Δ mark have special characteristics important for safety. Furthermore, special parts which have purposes of fire-(resistors), etc. are used. When replacing any of components, be sure to use only manufacture's specified parts shown in the parts list.

* The parenthesized indications in the Remarks columns specify the areas. (Refer to the cover page for area.)

* ALL parts are supplied by MESA.

* The "<IA> <IB> <IC> <ID> <IE>" marks in Remarks indicate language of operating instructions.

<IA>: Spanish, Swedish

<IB>: German, Italian, French

<IC>: Dutch, Danish

<ID>: English

<IE>: Russian, Czech, Polish

Ref.No.	Part No.	Part Name & Description	Pcs	Remarks
1	RKM0395-S	CABINET	1	
2	RHD30007-K1	SCREW	4	
3	XTBS9+10JFZ1	SCREW	1	
4	REX0967	WIRE ASS'Y	1	
5	RMZ0339	ZNR COVER	1	
6	RGW0317-S1	KNOB,VOLUME	1	
7	RHN90001	NUT	1	
8	RKA0106-N	FOOT RING	4	
9	RKF0589-K	BACK GRILL	1	
10	RKW0581-V	FL WINDOW	1	
11	RMN0427	CABLE HOLDER	1	
12	RLBT4001-N	FERRITE CORE	1	
13	RYP0915-S	FRONT PANEL	1	
13-1	RGB0025-A	TECHNICS BADGE	1	
14	SHG1654	RUBBER	4	
15	XTB3+10JFZ	SCREW	10	
16	XTB3+8JFZ	SCREW	13	
17	XTW3+15T	SCREW	2	
18	XTBS3+8JFZ1	SCREW	2	
A1	RAK-EHA16WH	REMOTE CONT.TRANSMITTER	1	
A1-1	RKK0123-H	BATTERY COVER	1	
A2	REE0393	SPEAKER CORD	2	
A3	REE0853	SPEAKER CORD	2	
Δ A4	RJA0019-X	AC POWER SUPPLY CORD	1	(E,EG,EP)
Δ A4	RJA0053-2X	AC POWER SUPPLY CORD	1	(EB)
A5	RQA0117	WARRANTY CARD	1	(E,EG,EB)
A6	RQCA0669	QUICK REFERENCE GUIDE	1	(EB)
A7	RQCB0169	SERVICE CENTER LIST	1	(E,EG,EB)
A8	RQT4969-E	OPERATING INSTRUCTIONS	1	(E)<IA>
A8	RQT4967-1D	OPERATING INSTRUCTIONS	1	(EG)<IB>
A8	RQT4968-1H	OPERATING INSTRUCTIONS	1	(EG)<IC>
A8	RQT4970-B	OPERATING INSTRUCTIONS	1	(EB,EP)<ID>
A8	RQT4971-R	OPERATING INSTRUCTIONS	1	(EP)<IE>
A9	RSA0007	FM INDOOR ANTENNA	1	
A10	RSA0022-J	AM LOOP ANTENNA	1	
A11	SJP9009	ANT ADAPTOR	1	(EB)
C101	ECBT1C103NS5	16V 0.01U	1	
C102	ECEA1CK5101	16V 100U	1	
C103	ECBT1C103NS5	16V 0.01U	1	
C104,05	ECBT1H102KB5	50V 1000P	2	
C106	ECBT1C103NS5	16V 0.01U	1	
C107	ECBT1H473ZF5	50V 0.047U	1	
C108	ECBT1H8R2KC5	50V 8.2P	1	
C109	ECBT1H102KB5	50V 1000P	1	
C110	ECBT1C103NS5	16V 0.01U	1	
C111	ECEA1EKS4R7	25V 4.7U	1	
C112	ECBT1C103NS5	16V 0.01U	1	
C113	ECBT1H102KB5	50V 1000P	1	
C114	RCE1HKA3R3BG	50V 3.3U	1	
C115	ECEA1EKS4R7	25V 4.7U	1	
C116	ECFR1C333KR	16V 0.033U	1	
C117,18	ECFR1C183KR	16V 0.0018U	2	
C119	ECQP1391JZ	100V 390P	1	
C120	RCE1CKA100BG	16V 10U	1	
C121	RCE1HKAR47BG	50V 0.47U	1	

Ref.No.	Part No.	Part Name & Description	Pcs	Remarks
C122,23	ECEA1HKS010	50V 1U	2	
C124	ECBT1H101KB5	50V 100P	1	
C125	ECEA1CK5220	16V 22U	1	
C126	ECBT1H473ZF5	50V 0.047U	1	
C127	ECEA1CK5220	16V 22U	1	
C129,30	ECEA0JKS101	6.3V 100U	2	
C131	ECBT1H101KB5	50V 100P	1	
C132	ECBT1H102KB5	50V 1000P	1	
C133,34	ECBT1H270JU5	50V 27P	2	
C136	ECBT1H102KB5	50V 1000P	1	
C137	ECFR1E472KR	25V 4700P	1	
C138	ECBT1C103KS5	16V 0.01U	1	
C139	ECFR1E472KR	25V 4700P	1	
C141,42	ECEA1HKS010	50V 1U	2	
C143,44	ECBT1C472KR5	16V 4700P	2	
C147	ECBT1H102KB5	50V 1000P	1	
C148	ECBT1C103NS5	16V 0.01U	1	
C149	ECBT1H104ZF5	50V 0.1U	1	
C151	RCE1CKA100BG	16V 10U	1	
C152	ECBT1H331KB5	50V 330P	1	
C153	ECBT1H102KB5	50V 1000P	1	
C154	ECBT1H561KB5	50V 560P	1	
C155	ECBT1H102KB5	50V 1000P	1	
C156,57	ECBT1H470J5	50V 47P	2	
C158,59	ECEA0JKS470	6.3V 47UF	2	
C160	ECBT1H102KB5	50V 1000P	1	
C395,96	ECBT1H473ZF5	50V 0.047U	2	
C509,10	ECBT1E103ZF	25V 0.01U	2	
C521	ECQV1H473JM3	50V 0.047U	1	
C522	ECQV1H683JM3	50V 0.068U	1	
C523,24	ECBT1H101KB5	50V 100P	2	
C525	ECQV1H563JM3	50V 0.056U	1	
C526	ECQV1H683JM3	50V 0.068U	1	
C527,28	ECBT1H101KB5	50V 100P	2	
C529,30	RCE1CKA100BG	16V 10U	2	
C531	ECQV1H823JZ	50V 0.082U	1	
C532	ECBT1E103ZF	25V 0.01U	1	
C533	ECEA1EKS4R7	25V 4.7U	1	
C534	RCE1AKA330BG	10V 33U	1	
C535	ECQV1H683JM3	50V 0.068U	1	
C536	ECQV1H393JM3	50V 0.039U	1	
C537	ECBT1H104KB5	50V 0.1U	1	
C538	ECQV1H154JM3	50V 0.15U	1	
C539	ECBT1C472KR5	16V 4700P	1	
C540,41	ECEA0JKS470	6.3V 47U	2	
C542	ECBT1E103ZF	25V 0.01U	1	
C550	ECBT1C103NS5	16V 0.01U	1	
C551	ECEA1HKS2R2	50V 2.2U	1	
C552	ECBT1E103ZF	25V 0.01U	1	
C553	RCE1HKAR47BG	50V 0.47U	1	
C554	ECEA1AKS221	10V 220U	1	
C561,62	ECQV1H823JZ	50V 0.082U	2	
C563	ECEA0JKS101	6.3V 100U	1	
C564	RCE1CKA100BG	16V 10U	1	
C601,02	RCE1CKA100BG	16V 10U	2	
C603-08	ECBT1H471KB5	50V 470P	6	
C609,10	ECBT1H220JC5	50V 22P	2	
C611,12	ECBT1H150JC5	50V 15P	2	
C613,14	ECBT1H220JC5	50V 22P	2	
C615	ECKR1H103ZF5	50V 0.01U	1	
C616	ECEA1HKNR47B	50V 0.47U	1	
C617,18	ECKR2H103ZU	500V 0.01U	2	
C619	ECBT1E103ZF	25V 0.01U	1	
C620,21	ECQV1H473JM3	50V 0.047U	2	
C622	ECA1HM101	50V 100U	1	
C623	ECBT1H104ZF5	50V 0.1U	1	
C624-27	ECQV1H473JM3	50V 0.047U	4	
C628	ECBT1H104ZF5	50V 0.1U	1	
C629	RCE1CKA100BG	16V 10U	1	
C631,32	ECBT1H473ZF5	50V 0.047U	2	
C633,34	ECBT1H102KB5	50V 1000P	2	
C635,36	ECBT1H473ZF5	50V 0.047U	2	
C637-44	ECBT1H102KB5	50V 1000P	8	
C645,46	ECBT1H473ZF5	50V 0.047U	2	
C647-50	ECBT1H102KB5	50V 1000P	4	
C651	ECBT1H473ZF5	50V 0.047U	1	
C652-54	ECBT1H102KB5	50V 1000P	3	
Δ C701-04	ECA1VM472E	35V 4700U	4	

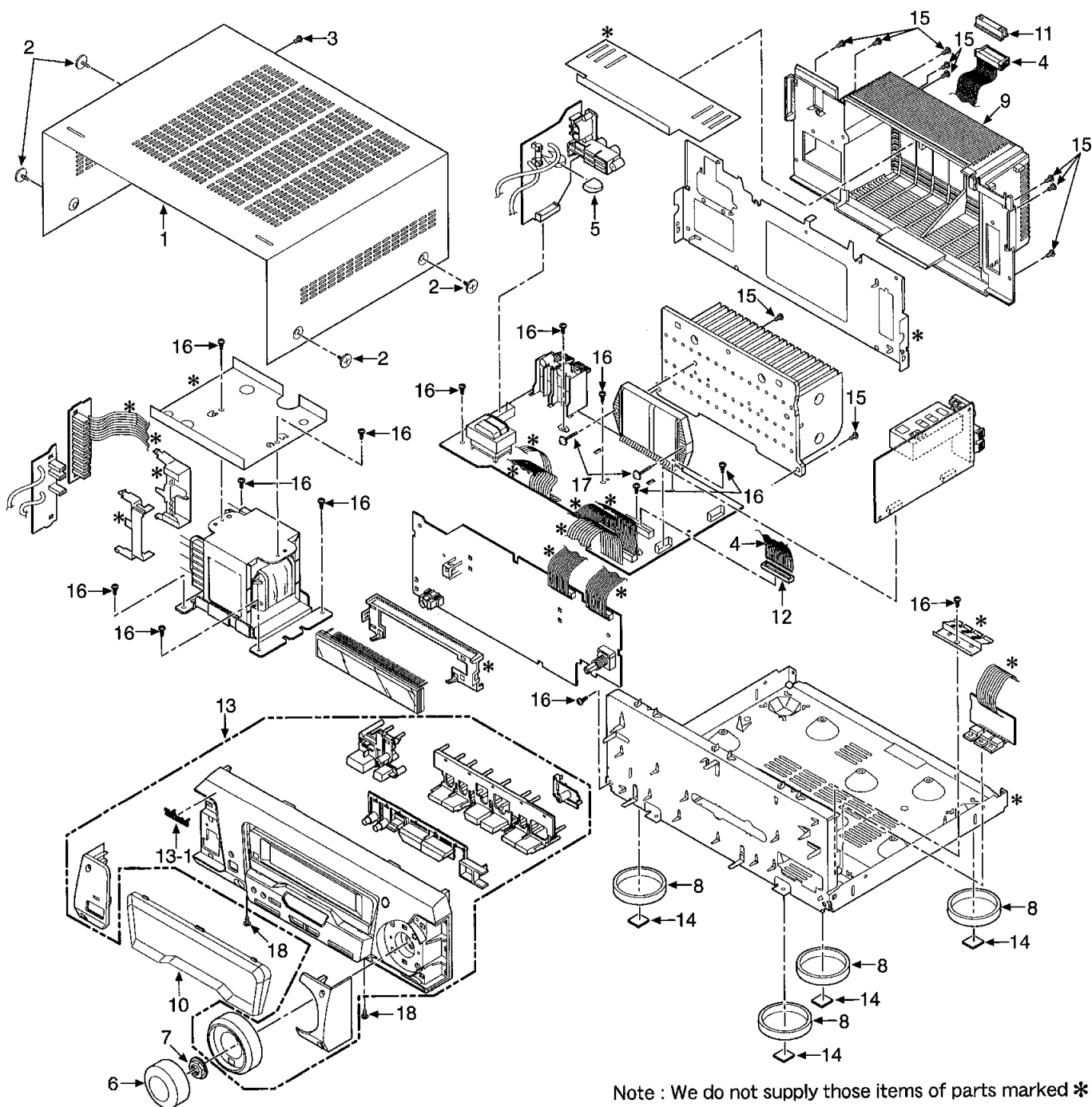
Ref.No.	Part No.	Part Name & Description	Pcs	Remarks
C706	RCE1VKA100BG	35V 10U	1	
C707	ECBT1E103ZF	25V 0.01U	1	
C709	ECBT1H104ZF5	50V 0.1U	1	
C710	ECBT1E103ZF	25V 0.01U	1	
C714	ECBT1H102KB5	50V 1000P	1	
△ C715	ECA1EM472	25V 4700U	1	
C717	ECEA1CK330	16V 33U	1	
C718	RCE1AKA101BG	10V 100U	1	
C719,20	ECBT1H473KB5	50V 0.047U	2	
C721,22	RCE1AKA101BG	10V 100U	2	
C723	ECBT1E103ZF	25V 0.01U	1	
C731	ECBT1H102KB5	50V 1000P	1	
C732	ECBT1E223ZF	25V 0.022U	1	
C733	ECBT1E103ZF	25V 0.01U	1	
C734	RCE1HKA3R3BG	50V 3.3U	1	
△ C737	ECA1HM101	50V 100U	1	
C740	RCE1CKA100BG	16V 10U	1	
C741	ECQE1104KF3	100V 0.1U	1	
C753	ECKR1H103ZF5	50V 0.01U	1	
△ C754	RCE1CM102BV	16V 1000U	1	
C758	ECBT1E103ZF	25V 0.01U	1	
C759	RCE1AKA470BG	10V 47U	1	
C761	ECQE1104KF3	100V 0.1U	1	
C791	ECKWRS102MBC	125V 1000P	1	
C901	ECBT1H102KB5	50V 1000P	1	
C902	RCE1AM102BV	10V 1000U	1	
C903,04	ECBT1E103ZF	25V 0.01U	2	
C907,08	ECBT1H471KB5	50V 470P	2	
C909	ECBT1H102KB5	50V 1000P	1	
C910	ECBT1H220JC5	50V 22P	1	
C911	ECBT1H180J5	50V 18P	1	
C912	ECBT1H104ZF5	50V 0.1U	1	
C913	RCE1CKA100BG	16V 10U	1	
C914	ECEA1HKS2R2	50V 2.2U	1	
C915	ECBT1E103ZF	25V 0.01U	1	
C916	EEAFC0J101B	6.3V 100U	1	
C917	ECBT1E103ZF	25V 0.01U	1	
C918	ECEA0JKS101	6.3V 100U	1	
C919,20	ECEA1HKS2R2	50V 2.2U	2	
C921	ECBT1H102KB5	50V 1000P	1	
C922	ECEA1VKA330B	35V 33U	1	
C923,24	ECBT1H104ZF5	50V 0.1U	2	
C925,26	ECBT1H102KB5	50V 1000P	2	
CF201	RLFFETNGD01L	CERAMIC FILTER	1	
CF202	RLFFETMGD01L	CERAMIC FILTER	1	
CN101B,2B	RJU100W07	CONNECTOR(7P)	2	
CN601	RJU057W012	CONNECTOR(12P)	1	
CN701-13	RJS1A1101T1	CONNECTOR(1P)	13	
CP101B,2B	RJT100W07	CONNECTOR(7P)	2	
CP601	RJT057W012-1	CONNECTOR(12P)	1	
△ D101	MA4051M	DIODE	1	
△ D151	MA4051M	DIODE	1	
D306	LNJ801TPSJAD	LED	1	
D500-04	MA165	DIODE	5	
D551,52	MA165	DIODE	2	
D555	MA4100M	DIODE	1	
D558	MA165	DIODE	1	
D562,63	MA165	DIODE	2	
D601,02	SB360L6508	DIODE	2	
D603	MA4180L	DIODE	1	
D604,05	MA4140M	DIODE	2	
D657,58	MA165	DIODE	2	
△ D701-04	1N5402BF	DIODE	4	
△ D705	RL1N4003N02	DIODE	1	
D711	RL1N4003N02	DIODE	1	
D715	MA165	DIODE	1	
△ D717-20	RL1N4003N02	DIODE	4	
△ D721	MA4300M	DIODE	1	
△ D723	MA4150M	DIODE	1	
△ D725	MA4082LTA	DIODE	1	
D730	MA4091H	DIODE	1	
D736	MA165	DIODE	1	
△ D737	MA4082LTA	DIODE	1	
D738-40	MA165	DIODE	3	

Ref.No.	Part No.	Part Name & Description	Pcs	Remarks
△ D741-44	RL1N4003N02	DIODE	4	
D745	MA4051M	DIODE	1	
D746	RL1N4003N02	DIODE	1	
△ D747	MA4068M	DIODE	1	
D749	MA165	DIODE	1	
△ D751,52	1N5402BF	DIODE	2	
△ D753-55	RL1N4003N02	DIODE	3	
D756,57	MA700TA	DIODE	2	
D758	MA165	DIODE	1	
D901,02	1SS291TA	DIODE	2	
D903,04	MA165	DIODE	2	
D905	1SS291TA	DIODE	1	
D908	LNJ301MPUJAD	LED	1	
D915	1SS291TA	DIODE	1	
D933,34	MA165	DIODE	2	
D951	LNJ301MPUJAD	LED	1	
D954	LNJ401NPYJA	DIODE	1	
△ D973	MA4033M	DIODE	1	
D974	MA165	DIODE	1	
△ F1	XBA2C20TB0	FUSE,T2A	1	
FL901	RSL0285-F	FL	1	
IC101	LA1833MN-TLM	IC	1	
IC102	LC72131MDTLM	IC	1	
IC151	LC72721NMTLM	IC	1	
IC502	M62456FPE1	IC	1	
△ IC601	RSN31W64	IC	1	
IC901	LC8A524A5K01	IC	1	
JK101	RJH5210M	JACK,ANTENNA	1	
JK601	RJR0054B	JACK,SPEAKER	1	
JK602	RJR0054C	JACK,SPEAKER	1	
JK603	RJH2308	JACK,SPEAKER	1	
△ JK701	SJS9236	JACK,AC INLET	1	
JK903	RJJ37TN02-C	JACK,HEADPHONE	1	
L101,02	ELESNR68MA	COIL	2	
L103	ELEXT47MA9	COIL	1	
L151,52	ELEXT101KA9	COIL	2	
L153	RLQZP1R0KT-Y	COIL	1	
L601-06	RLQYR73MW1-0	COIL	6	
△ L701	RLQZ371	COIL	1	
L901	RLQA100JT-Y	COIL	1	
L902	RLQZP1R0KT-Y	COIL	1	
P1	RPF0139	PROTECTION COVER	1	
P2	RPG4397	PACKING CASE(RS)	1	
P2	RPG4396	PACKING CASE(SA)	1	
P2	RPG4398	PACKING CASE(SH)	1	
P2	RPG4399	PACKING CASE(SL)	1	
P3	RPN1195	PAD(RS)	1	
P3	RPN1194	PAD(SA)	1	
P3	RPN1196	PAD(SH)	1	
P3	RPN1197	PAD(SL)	1	
P4	RPG4400	PACKING CASE(SYSTEM)	1 (E)	
P4	RPG4401	PACKING CASE(SYSTEM)	1 (EG)	
P4	RPG4402	PACKING CASE(SYSTEM)	1 (EB)	
P4	RPG4403	PACKING CASE(SYSTEM)	1 (EP)	
P5	RPQ0951	PAD(SYSTEM)	1	
P6	SPP740-1	SHEET	1	
Q101,02	2SC2787FK	TRANSISTOR	2	
Q106	UN4111	TRANSISTOR	1	
Q110	2SC3311AR	TRANSISTOR	1	
Q503	2SC3327A	TRANSISTOR	1	
Q551	2SA1995RSTA	TRANSISTOR	1	
Q554	2SA1995RSTA	TRANSISTOR	1	
Q555	2SC3327A	TRANSISTOR	1	
Q558	UN4211	TRANSISTOR	1	
Q601,02	2SC5398RSTA	TRANSISTOR	2	
Q603,04	2SD1859QRTV2	TRANSISTOR	2	
Q605	2SB1417PQTA	TRANSISTOR	1	
△ Q701	2SD2374PQAU	TRANSISTOR	1	
△ Q702	2SB1548PQAU	TRANSISTOR	1	
△ Q703	2SD592AR	TRANSISTOR	1	
△ Q705	2SA1995RSTA	TRANSISTOR	1	

Ref.No.	Part No.	Part Name & Description	Pcs	Remarks
Q706	UN4211	TRANSISTOR	1	
△ Q707	2SB621A-R	TRANSISTOR	1	
Q708	UN4211	TRANSISTOR	1	
Q709	2SC3327A	TRANSISTOR	1	
△ Q711	2SB1548PQAU	TRANSISTOR	1	
△ Q723	2SC3940AQSTA	TRANSISTOR	1	
△ Q725	2SC5398RSTA	TRANSISTOR	1	
△ Q726	2SC3940AQSTA	TRANSISTOR	1	
Q791	2SC3327A	TRANSISTOR	1	
Q901	UN4212TA	TRANSISTOR	1	
Q906	UN4111	TRANSISTOR	1	
R102	ERDS2FJ472	1/4W 4.7K	1	
R103	ERDS2FJ101	1/4W 100	1	
R104	ERDS2FJ103	1/4W 10K	1	
R105	ERDS2FJ471	1/4W 470	1	
R106	ERDS2FJ474	1/4W 470K	1	
R107	ERDS2FJ331	1/4W 330	1	
R108	ERDS2FJ474	1/4W 470K	1	
R109	ERDS2FJ331	1/4W 330	1	
R110	ERDS2FJ102	1/4W 1K	1	
R111	ERDS2FJ391	1/4W 390	1	
R112	ERDS2FJ104	1/4W 100K	1	
R113	ERDS2FJ103	1/4W 10K	1	
R114	ERDS2FJ562	1/4W 5.6K	1	
R115	ERDS2FJ561	1/4W 560	1	
R116	ERDS2FJ102	1/4W 1K	1	
R117	ERDS2FJ683	1/4W 68K	1	
R118	ERDS2FJ332	1/4W 3.3K	1	
R119	ERDS2FJ103	1/4W 10K	1	
R120	ERDS2FJ473	1/4W 47K	1	
R121	ERDS2FJ223	1/4W 22K	1	
R122	ERDS2FJ272	1/4W 2.7K	1	
R123	ERDS2FJ683	1/4W 68K	1	
R124	ERDS2FJ271	1/4W 270	1	
R125,26	ERDS2FJ152	1/4W 1.5K	2	
R127	ERDS2FJ471	1/4W 470	1	
R128	ERDS2FJ820	1/4W 82	1	
R129	ERDS2FJ273	1/4W 27K	1	
R130	ERDS2FJ103	1/4W 10K	1	
R131	ERDS2FJ680	1/4W 68	1	
R132	ERDS2FJ103	1/4W 10K	1	
R133-37	ERDS2FJ102	1/4W 1K	5	
R138	ERDS2FJ103	1/4W 10K	1	
R139	ERDS2FJ332	1/4W 3.3K	1	
R140	ERDS2FJ472	1/4W 4.7K	1	
R141,42	ERDS2FJ102	1/4W 1K	2	
R143	ERDS2FJ223	1/4W 22K	1	
R145,46	ERDS2FJ104	1/4W 100K	2	
R151,52	ERDS2FJ102	1/4W 1K	2	
R153,54	ERDS2FJ104	1/4W 100K	2	
R155	ERDS2FJ121	1/4W 120	1	
R158	ERDS2FJ102	1/4W 1K	1	
R229,30	ERDS2FJ102	1/4W 1K	2	
R289,90	ERDS2FJ473	1/4W 47K	2	
R509-12	ERDS2FJ470	1/4W 47	4	
R521	ERDS2FJ433	1/4W 43K	1	
R522	ERDS2FJ333	1/4W 33K	1	
R523,24	ERDS2FJ153	1/4W 15K	2	
R525,26	ERDS2FJ333	1/4W 33K	2	
R527,28	ERDS2FJ101	1/4W 100	2	
R529	ERDS2FJ223	1/4W 22K	1	
R530	ERDS2FJ273	1/4W 27K	1	
R531	ERDS2FJ274	1/4W 270K	1	
R532	ERDS2FJ153	1/4W 15K	1	
R533	ERDS2FJ822	1/4W 8.2K	1	
R534,35	ERDS2FJ823	1/4W 82K	2	
R538	ERDS2FJ273	1/4W 27K	1	
R539	ERDS2FJ824	1/4W 820K	1	
R542,43	ERDS2FJ472	1/4W 4.7K	2	
R544	ERDS2FJ103	1/4W 10K	1	
R545	ERDS2FJ222	1/4W 2.2K	1	
R546	ERDS2FJ183	1/4W 18K	1	
R548	ERDS2FJ102	1/4W 1K	1	
R551	ERDS2FJ183	1/4W 18K	1	
R552	ERDS2FJ473	1/4W 47K	1	
R553,54	ERDS2FJ183	1/4W 18K	2	
R555	ERDS2FJ223	1/4W 22K	1	

Ref.No.	Part No.	Part Name & Description	Pcs	Remarks
R556	ERDS2FJ104	1/4W 100K	1	
R557	ERDS2FJ103	1/4W 10K	1	
R558	ERDS2FJ102	1/4W 1K	1	
R559	ERDS2FJ472	1/4W 4.7K	1	
R561	ERDS2FJ104	1/4W 100K	1	
R563,64	ERDS2FJ272	1/4W 2.7K	2	
R570	ERDS2TJ225	1/4W 2.2M	1	
R571	ERDS2FJ562	1/4W 5.6K	1	
R572	ERDS2FJ153	1/4W 15K	1	
R591	ERDS2FJ472	1/4W 4.7K	1	
R597,98	ERDS2FJ102	1/4W 4.7K	2	
R601-06	ERDS2FJ472	1/4W 4.7K	6	
R607-12	ERDS2FJ563	1/4W 56K	6	
R613	ERDS2FJ103	1/4W 10K	1	
R614,15	ERDS2FJ472	1/4W 4.7K	2	
R616	ERDS2FJ563	1/4W 56K	1	
R617,18	ERDS2FJ472	1/4W 4.7K	2	
R619,20	ERDS2FJ124	1/4W 120K	2	
R621	ERDS2FJ154	1/4W 150K	1	
R622,23	ERDS2FJ124	1/4W 120K	2	
R624	ERDS2FJ154	1/4W 150K	1	
△ R625,26	ERDS1FJ272	1/2W 2.7K	2	
R627	ERDS2FJ474	1/4W 470K	1	
R628	ERDS2FJ223	1/4W 22K	1	
△ R629	ERDS1FJ561	1/2W 560	1	
R637	ERDS2FJ153	1/4W 15K	1	
R638	ERDS2FJ683	1/4W 68K	1	
△ R639-46	ERDS1FJ100	1/2W 10	8	
△ R647,48	ERDS2FJ2R2	1/4W 2.2	2	
△ R649-52	ERDS1FJ100	1/2W 10	4	
R653	ERDS2TKF5362	1/4W 53.6K	1	
R654	ERDS2FJ272	1/4W 2.7K	1	
R655	ERDS2TKG5622	1/4W 56.2K	1	
R656	ERDS2FJ331	1/4W 330	1	
R661	ERDS2FJ272	1/4W 2.7K	1	
R703-05	ERG1SJ222	1W 2.2K	3	
△ R707	ERDS2FJ4R7	1/4W 4.7	1	
R708	ERDS2FJ472	1/4W 4.7K	1	
R712	ERDS2FJ222	1/4W 2.2K	1	
R719	ERDS2FJ332	1/4W 3.3K	1	
R720	ERDS2FJ272	1/4W 2.7K	1	
△ R721	ERD2FCJ4R7	1/4W 4.7	1	
△ R722	ERQ16NKW2R2E	1/6W 2.2	1	
R723	ERDS2FJ562	1/4W 5.6K	1	
R724	ERDS2FJ392	1/4W 3.9K	1	
R725	ERDS2FJ100	1/4W 10	1	
R727	ERDS2FJ392	1/4W 3.9K	1	
R729	ERDS2FJ221	1/4W 220	1	
R738	ERDS2FJ392	1/4W 3.9K	1	
R739	ERDS2FJ473	1/4W 47K	1	
R749	ERDS2FJ102	1/4W 1K	1	
R753	ERD16TJ000T	1/6W 0	1	
R763	ERDS2FJ472	1/4W 4.7K	1	
R764	ERDS2FJ331	1/4W 330	1	
R765	ERDS1FJ221	1/2W 220	1	
△ R766	ERDS1FJ470	1/2W 47	1	
△ R767	ERDS2FJ4R7	1/4W 4.7	1	
R768	ERDS2FJ101	1/4W 100	1	
R771	ERDS2FJ222	1/4W 2.2K	1	
R772	ERDS2FJ223	1/4W 22K	1	
△ R773	ERDS1FJ470	1/2W 47	1	
△ R774	ERDS1FJ270	1/2W 27	1	
R776	ERDS2FJ103	1/4W 10K	1	
R777	ERDS2FJ102	1/4W 1K	1	
△ R779	ERDS1FJ470	1/2W 47	1	
△ R791,92	RSFMB30KT-L	FUSE PROTECTOR	2	
R793	ERDS2FJ1R0	1/4W 1	1	
R794	ERDS2FJ473	1/4W 47K	1	
R795	ERDS2FJ392	1/4W 3.9K	1	
R901	ERDS2FJ821	1/4W 820	1	
R902	ERDS2FJ102	1/4W 1K	1	
R903	ERDS2FJ122	1/4W 1.2K	1	
R904	ERDS2FJ152	1/4W 1.5K	1	
R905	ERDS2FJ182	1/4W 1.8K	1	
R906	ERDS2FJ222	1/4W 2.2K	1	
R907	ERDS2FJ332	1/4W 3.3K	1	
R908	ERDS2FJ472	1/4W 4.7K	1	
R909	ERDS2FJ182	1/4W 1.8K	1	

■ Cabinet Parts Location

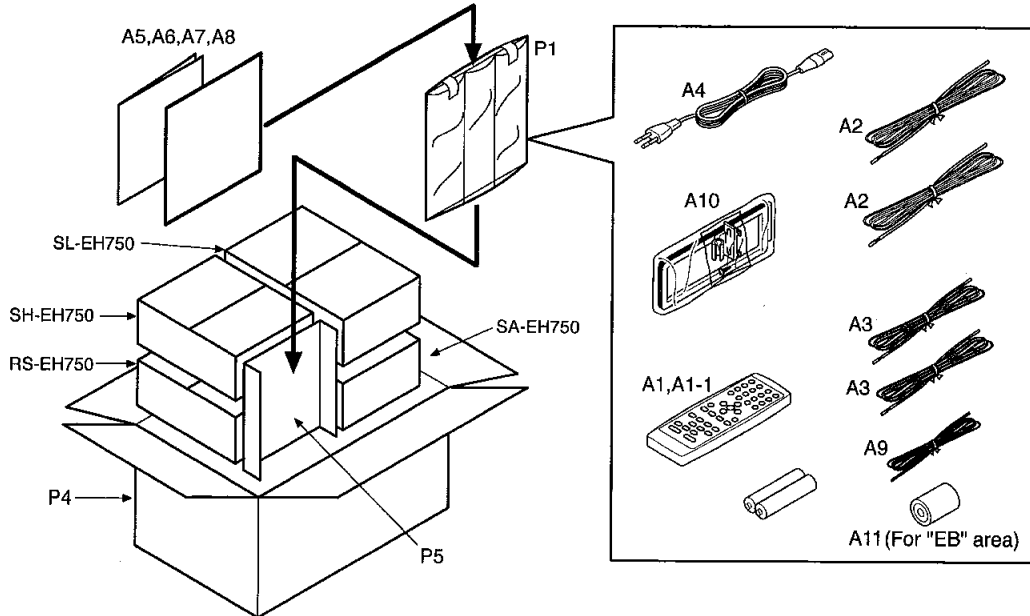
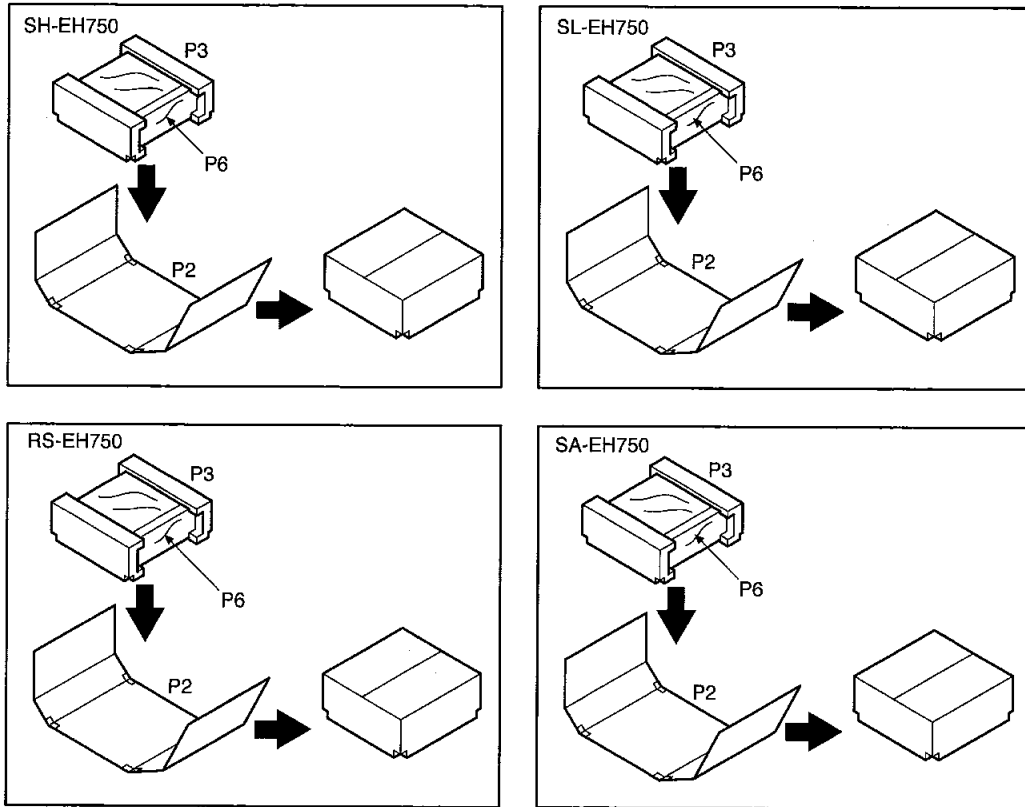


Note : We do not supply those items of parts marked *.

Ref.No.	Part No.	Part Name & Description	Pcs	Remarks
1	RKM0395-S	CABINET	1	
2	RHD30007-K1	SCREW	4	
3	XTBS3+10JFZ1	SCREW	1	
4	REX0967	WIRE ASS'Y	1	
5	RMZ0339	ZNR COVER	1	
6	RGW0317-S1	KNOB,VOLUME	1	
7	RHN90001	NUT	1	
8	RKA0106-N	FOOT RING	4	
9	RKF0589-K	BACK GRILL	1	
10	RKW0581-V	FL WINDOW	1	

Ref.No.	Part No.	Part Name & Description	Pcs	Remarks
11	RMN0427	CABLE HOLDER	1	
12	RLBT4001-N	FERRITE CORE	1	
13	RYP0915-S	FRONT PANEL	1	
13-1	RGB0025-A	TECHNICS BADGE	1	
14	SHG1654	RUBBER	4	
15	XTB3+10JFZ	SCREW	10	
16	XTB3+8JFZ	SCREW	13	
17	XTW3+15T	SCREW	2	
18	XTBS3+8JFZ1	SCREW	2	

■ Packaging



Ref.No.	Part No.	Part Name & Description	Pcs	Remarks
A1	RAK-EHA16WH	REMOTE CONT.TRANSMITTER	1	
A1-1	RIKK0123-H	BATTERY COVER	1	
A2	REE0393	SPEAKER CORD	2	
A3	REE0853	SPEAKER CORD	2	
A4	RJA0019-X	AC POWER SUPPLY CORD	1	(E,EG,EP)
A4	RJA0053-2X	AC POWER SUPPLY CORD	1	(EB)
A5	RQA0117	WARRANTY CARD	1	(E,EG,EB)
A6	RQCA0669	QUICK REFERENCE GUIDE	1	(EB)
A7	RQCB0169	SERVICE CENTER LIST	1	(E,EG,EB)
A8	RQT4969-E	OPERATING INSTRUCTIONS	1	(E)<IA>
A8	RQT4967-1D	OPERATING INSTRUCTIONS	1	(EG)<IB>
A8	RQT4968-1H	OPERATING INSTRUCTIONS	1	(EG)<IC>
A8	RQT4970-B	OPERATING INSTRUCTIONS	1	(EB,EP)<ID>
A8	RQT4971-R	OPERATING INSTRUCTIONS	1	(EP)<IE>
A9	RSA0007	FM INDOOR ANTENNA	1	
A10	RSA0022-J	AM LOOP ANTENNA	1	
A11	SJP9009	ANT ADAPTOR	1	(EB)

Ref.No.	Part No.	Part Name & Description	Pcs	Remarks
P1	RPF0139	PROTECTION COVER	1	
P2	RPG4397	PACKING CASE(RS)	1	
P2	RPG4396	PACKING CASE(SA)	1	
P2	RPG4398	PACKING CASE(SH)	1	
P2	RPG4399	PACKING CASE(SL)	1	
P3	RPN1195	PAD(RS)	1	
P3	RPN1194	PAD(SA)	1	
P3	RPN1196	PAD(SH)	1	
P3	RPN1197	PAD(SL)	1	
P4	RPG4400	PACKING CASE(SYSTEM)	1	(E)
P4	RPG4401	PACKING CASE(SYSTEM)	1	(EG)
P4	RPG4402	PACKING CASE(SYSTEM)	1	(EB)
P4	RPG4403	PACKING CASE(SYSTEM)	1	(EP)
P5	RPQ0951	PAD(SYSTEM)	1	
P6	SPP740-1	SHEET	1	